

Kiosk

Elo Self Service - Desktop



The modern retail environment requires seamless, user friendly interaction with the customer. The Elo Self Service Kiosk provides that in abundance, taking endless aisle, production selection through to payment a pleasure to use.

The desktop design, is compact, reduces floor real estate in busy retail environments, whilst still attracting customers with a stylish 22" screen. The Elo Kiosk's contemporary design and 22" large display makes it perfect for showrooms, shopping centre's, information centre's, lobbies and site offices.

Robust HD Multi-Touch Display

HD 22" touch screen utilises the latest in projected capacitive touch technology. The touch monitor is commercial quality which allows for extended 24/7 use and extreme reliability.

Boasting an in-built PC Intel® Core™ i5 processor, 2GB RAM, 320GB HDD, LAN, USB, and two in-built speakers. Capable of running O/S Windows 7 and 8.1*

The ELO Self Service - Desktop's sleek and compact design make it the perfect choice to manage your retail needs in a stylish and capable device.



Multi-Point Touch



User Friendly



Eco-friendly



WiFi
Connectivity

Designed to be used in:

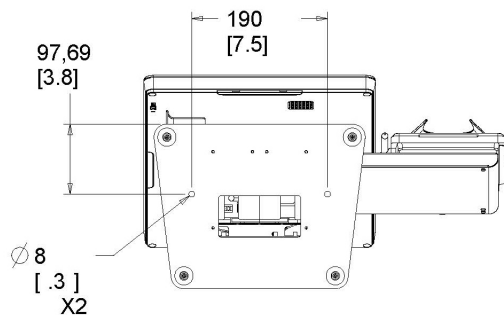
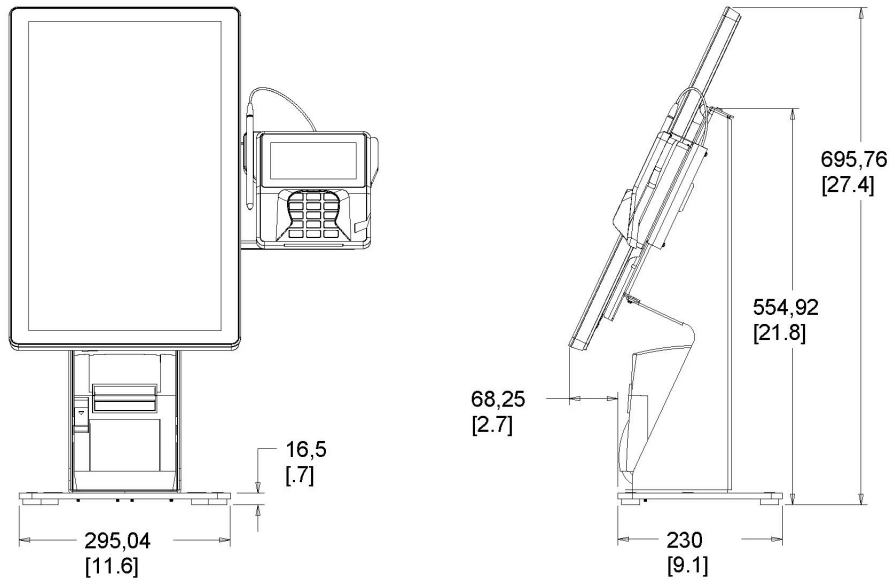
- Retail
- Corporate areas
- Exhibitions
- Reception areas

Quick Overview

- 22 inch screen
- intel i5 processor
- 2 built in speakers

Specifications

Screen Size	22 inch	Processor	Intel Core-i5 3550S 3.0GHz
Aspect Ratio	16:9	RAM	2GB
Resolution	1366 x 768	Drive	320GB HDD
Brightness	N/A	Graphics	Intel HD2500
Contrast Ratio	1000:1	I/O Ports	USB, LAN
Viewing Angle	N/A	OS Supported	Windows 7, 8, 1*
Video Inputs	N/A	WIFI	N/A
Multimedia	N/A		
Power Supply	12VDC		
Operating Temp	0 - 40 degrees C		
Touch Type	PCAP		
Touch Points	N/A		
Touch Interface	N/A		
Mounting	Desktop, VESA		
Speakers	2 x 2W		



MOUNTING HOLES IN BASE